



**PERFORMANCE DATA SHEET
NEMA PREMIUM NR CAN NEMA 12 - 12**

Catalogue #: MQP-37

HP	kW	Voltage	S.F. @ 60Hz	EFF.	P.F.	Frame	Design	L.R. Amps
15	11,19	230/460	1,25	92,4%	0,81	254T	B	116

60 Hz								Code	F.L. RPM
208	230	416	460	480	575	600			
/	37,4	/	18,70	/	/			G	1770

50 Hz								
FLA			S.F. @ 50Hz	Efficiency	Power Factor	Code	F.L. RPM	
190	380	415						
45,0	22,5		1,00	90,2%	0,830	E	1460	

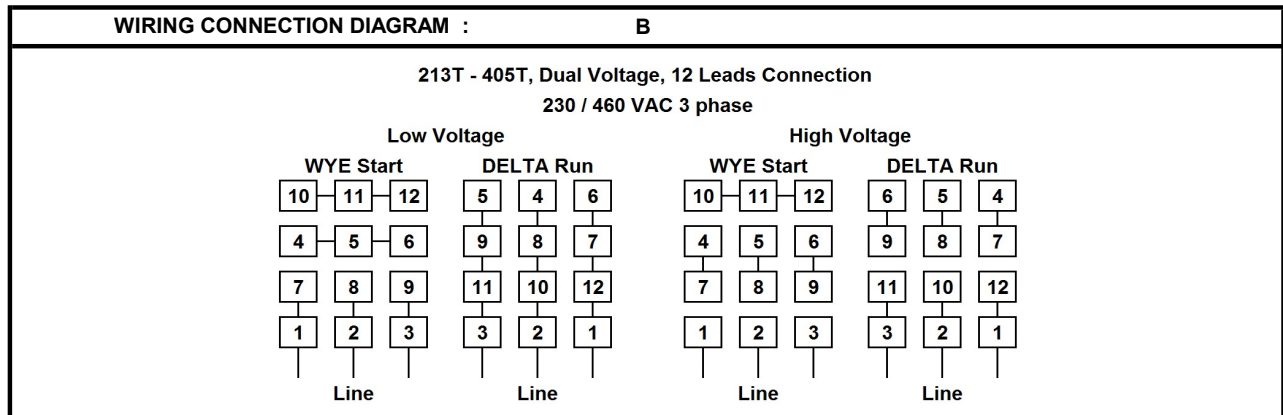
Wgt. Lbs	PH	Duty	Insul. Class	Amb.	Elevation	Temp. Rise° C
297	3	Cont.	F	40°C	1000M (3,300 Ft)	48

% Efficiency		% Power Factor		Torque		Winding Resist. Ω	Safe Cold Start (Secs)
Full Load:	92,4%	Full Load:	0,81	Full Load Ft/Lbs	44,5		
3/4 Load:	92,2%	3/4 Load:	0,76	Locked Rotor %	170		
1/2 Load:	92,0%	1/2 Load:	0,66	Break Down %	260	0,7	20

Rotor Inertia Wk2 Lb-Ft2	Max Load Inertia Wk2 Lb-Ft2	Shaft Material	Frame Material	DE Bracket Type	ODE Bracket Type	Enclosure	NEMA Rating	Lead Wire Size
1,78	105	1045	Cast Iron	Cast Iron	Cast Iron	TEFC	IP55	12AWG

Ball Bearings		Grease	Mount Type	Orientation	Paint	Sound Pressure @ 3FT	Sound Power
DE	ODE						
6309	6309	Mobil PolyrexEm	Rigid	Horizontal	RAL6022	74	84

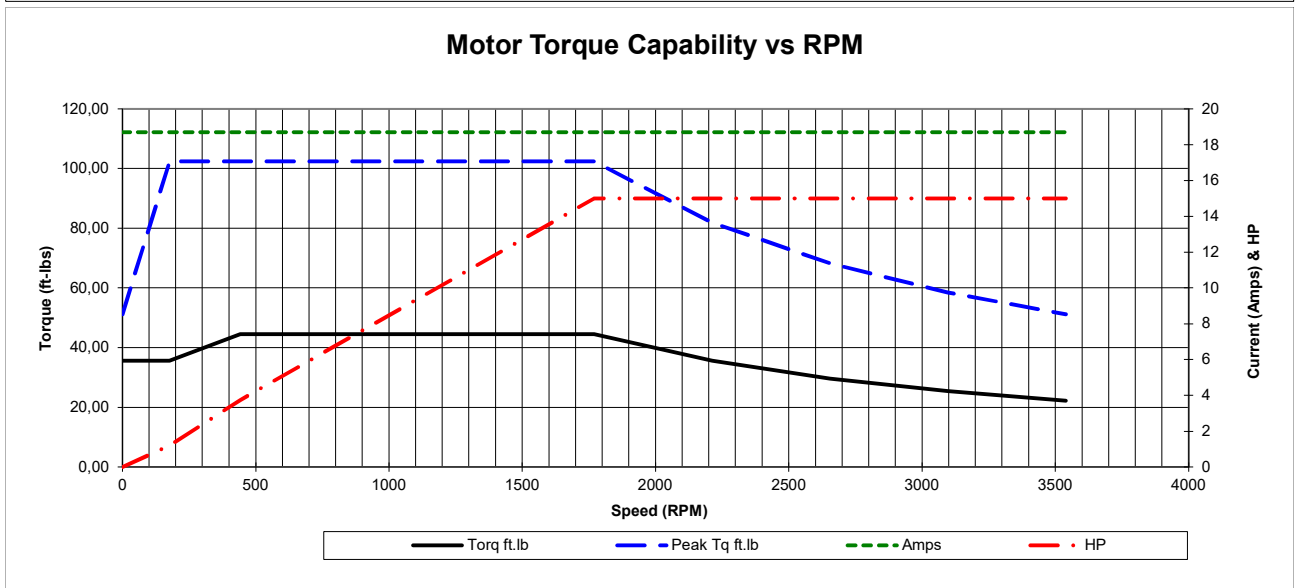
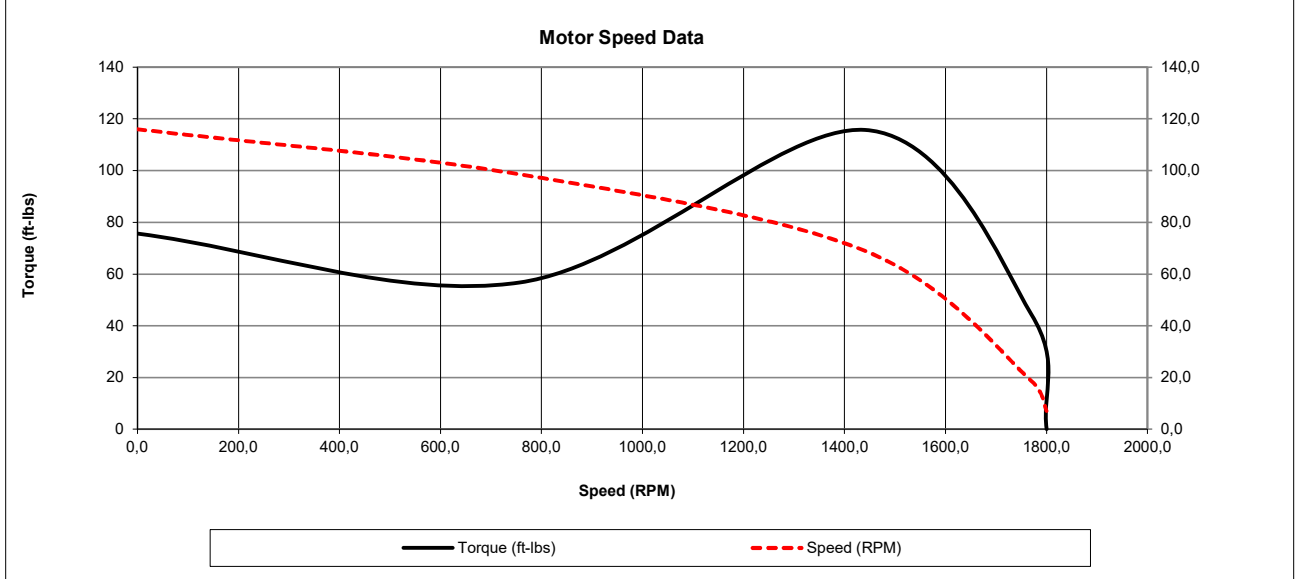
Inverter Duty, Motor meets MG1 parts 31.4.4.2	VFD SF	Constant Torque Range	Variable Torque Range	Constant HP RPM
	1,00	10:1	20:1	2700



Date: 2023-12-13
 Customer: _____
 Contact: _____
 Submittee: J.C. Lavallée

Catalogue #: MQP-37

NEMA PREMIUM NR CAN NEMA 12 - 12										
HP	VAC	RPM	Enclosure	Frame	Frequency	Design	Poles	LR Code Letter	Insulation Class	Temp. Rise °C
15	460	1770	TEFC	254T	60 Hz	B	4	G	F	48
	0Hz	6Hz	15Hz	30Hz	45Hz	60 Hz	75Hz	90Hz	105Hz	120Hz
Amps	18,7	18,7	18,7	18,7	18,7	18,7	18,7	18,7	18,7	18,7
RPM	0	177	442,5	885	1327,5	1770	2212,5	2655	3097,5	3540
Torq ft.lb	35,61	35,61	44,51	44,51	44,51	44,51	35,61	29,67	25,43	22,25
Peak Tq ft.lb	51,18	102,37	102,37	102,37	102,37	102,37	81,90	68,25	58,50	51,18
HP	0	1,2	3,8	7,5	11,3	15,0	15,0	15,0	15,0	15,0
	Locked Rotor	Pull-Up	Breakdown	Rated Load	Idle	Duty	S. F.	Ambient	Elevation	dBA @ 1M
Speed (RPM)	0,0	756	1440	1770	1800	Continuous	1,25	40°C	3,300 ft	74
Current (Amps)	116,0	98,6	69,0	18,7	7,1	VFD Rating: Meets MG1 parts 31.4.4.2				
Torque (ft.-lbs)	75,7	56,7	115,7	44,5	0,0	C.T.	10:1	V.T.	20:1	VFD SF 1.00





Date: 2023-12-13
 Customer: _____
 Contact: _____
 Submittee: J.C. Lavallée

Catalogue #: **MQP-37**

NEMA PREMIUM NR CAN NEMA 12 - 12										
HP	VAC	RPM	Enclosure	Frame	Frequency	Design	Poles	LR Code Letter	Insulation Class	Temp. Rise °C
15	460	1770	TEFC	254T	60 Hz	B	4	G	F	48
Load %	0%	25%	50%	75%	100%	125%	150%			
Amps	7,11	7,98	11,07	14,60	18,70	23,53	28,40			
Torq ft/lbs	0	10,99	22,07	33,24	44,51	55,87	67,33			
RPM	0	1792,5	1785	1777,5	1770	1762,5	1755			
Eff	0	87,95	92,00	92,20	92,40	90,95	90,59			
PF	0	50	66	76	81	82,053	81,891			
	Locked Rotor	Pull-Up	Breakdown	Rated Load	Idle	Duty	S. F.	Ambient	Elevation	dBa @ 1M
Speed (RPM)	0	756	1440	1770	1800	Continuous	1,25	40°C	3,300 ft	74
Current (Amps)	116	98,6	69,0	18,7	7,106	VFD Rating: Meets MG1 parts 31.4.4.2				
Torque (ft-lbs)	75,66	56,75	115,72	44,51	0,0	C.T.	10:1	V.T.	20:1	VFD SF 1.00

